
MV13 Installation Guide

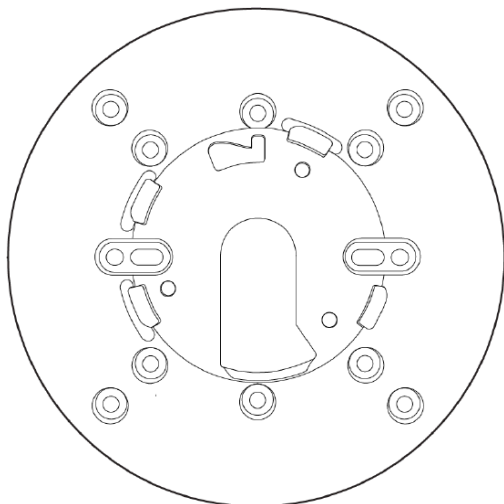
This guide describes how to install and configure the Cisco Meraki MV13, a smart camera that integrates with the Meraki dashboard. It covers the overview, powering, preparing dashboard, and step-by-step installation instructions for the MV13 camera.

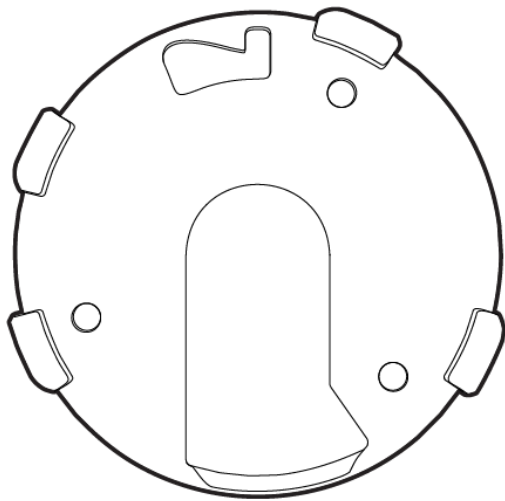
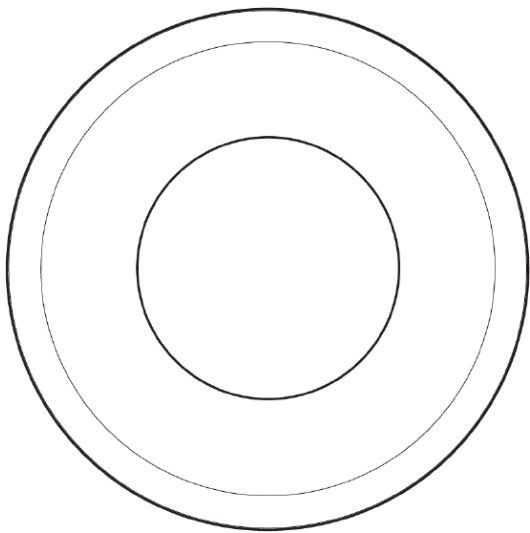
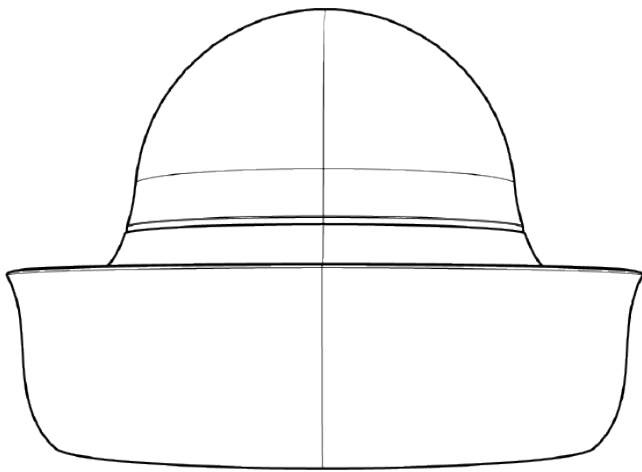
MV13 Overview

The Cisco Meraki MV13 series are network cameras that are exceptionally simple to deploy and configure due to their integration into the Meraki Dashboard and cloud-augmented edge storage. The MV family eliminates complex and costly servers and video recorders required by traditional solutions, removing the limitations typically placed on video surveillance deployments.

Package Contents

In addition to the MV camera, the following are provided:





Unit	MV13-HW
	MV13M-HW
	1 x T10 Torx key
Mounting Equipment	1 x Small Mounting Plate
	1 x Conduit Adapter

MV13 series does not ship with mounting screws and anchors as an included accessory in the packaging content.

Screw Recommendation:

- *Type: **Self-Tapping Screw***
- *Size: **M4***
- *Length: **Minimum 25mm***
- *Screw head diameter: **Maximum 10mm***
- *Driver Type: **ANY** (eg: Philips)*
- *Head Type: **ANY** (Eg: Pan Head)*
- *Build Material: **Stainless Steel***

Note: The insertion diameter of the anchor should be smaller than that of the screw, and the length of the anchor should be longer than that of the screw. The appropriate anchor should be selected based on the structure that it will be installed on, such as concrete, brick, wood, drywall, etc.

Powering the MV13 Series

The MV13 series features a 1000BASE-TX Ethernet port and requires 802.3af PoE minimally for operation. Route the Ethernet cable from an active PoE switch or injector port.

Note: Power over Ethernet supports a maximum cable length of 300 ft (100 m).

Pre-Install Preparation

You should complete the following steps before going on-site to perform an installation:

Configure Your Network in the Dashboard

The following briefly overviews the steps required to add an MV13 series camera to your network. For detailed instructions about creating, configuring and managing Meraki Camera networks, refer to the online documentation (<https://documentation.meraki.com/MV>).

1. Login to <http://dashboard.meraki.com>. If this is your first time, create a new account.
2. Find the network to which you plan to add your cameras or create a new network.
3. Add your cameras to your network. You will need your Meraki order number (found on your invoice) or the serial number of each camera, which looks like Qxxx-xxxx-xxxx and is on the bottom of the unit.
4. Verify that the camera is now listed under **Cameras > Monitor > Cameras**.

Check and Configure Firewall Settings

If a firewall is in place, it must allow outgoing connections on particular ports to IP addresses. The most current list of outbound ports and IP addresses for your organization can be found under **Help > Firewall Info** on the dashboard.

DNS Configuration Best Practices for LAN Streaming

Each camera will generate a unique domain name for secured direct streaming functionality. These domain names resolve an A record for the private IP address of the camera. Any public recursive DNS server will resolve this domain.

If utilizing an on-site DNS server, please allow *.devices.meraki.direct or configure a conditional forwarder so that local domains are not appended to *.devices.meraki.direct and that these domain requests are forwarded to Google public DNS.

Assigning IP Addresses

Currently, the MV13 series camera does not support static IP assignment. MV13 units must be added to a subnet with DHCP and available DHCP addresses to operate correctly.

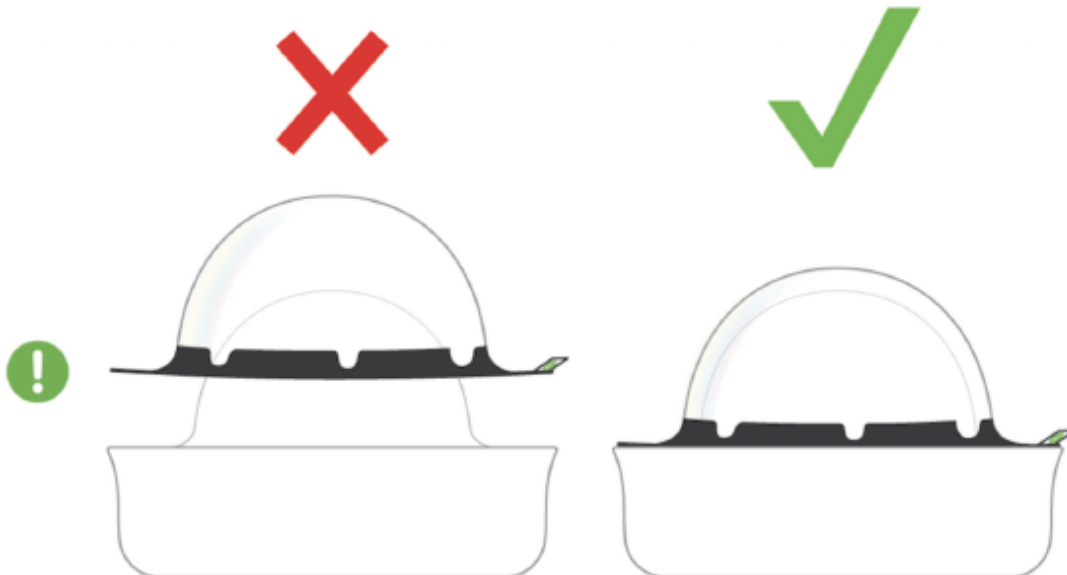
Installation Instructions

Note: The MV13 series will automatically update to the latest stable firmware during a first-time setup. Some features may be available once this automatic update is completed. This process may take up to 5 minutes to enable whole disk encryption. The state of this process can be monitored by referencing the MV LED Status.

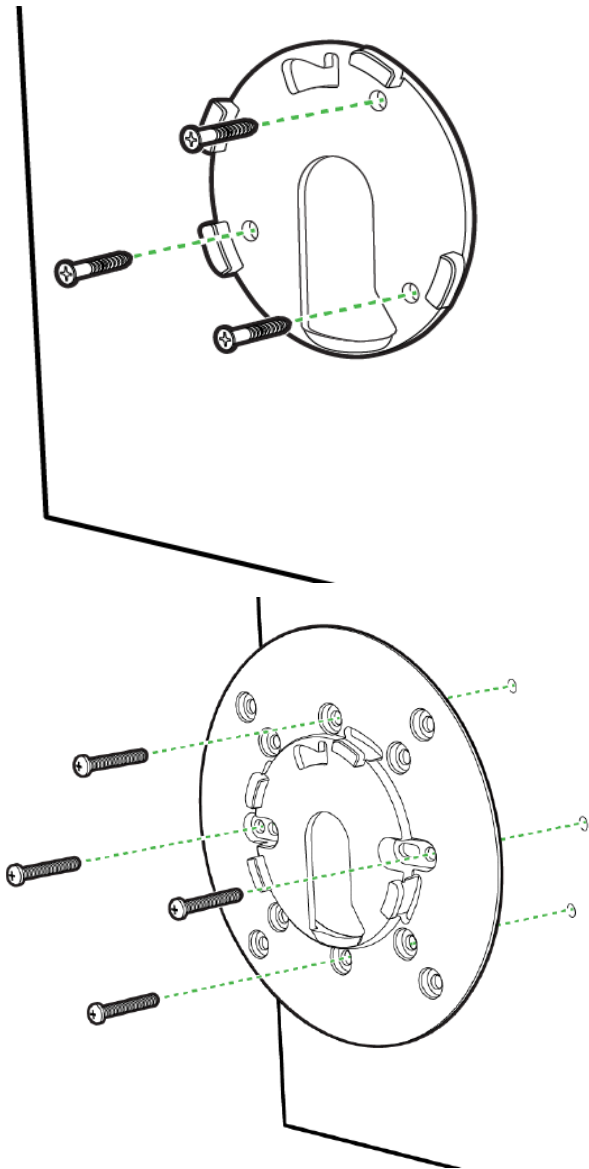
Mounting Instructions

For most mounting scenarios, the MV13 wall mount provides a quick, simple, and flexible means for mounting your device. The installation should be done in a few simple steps:

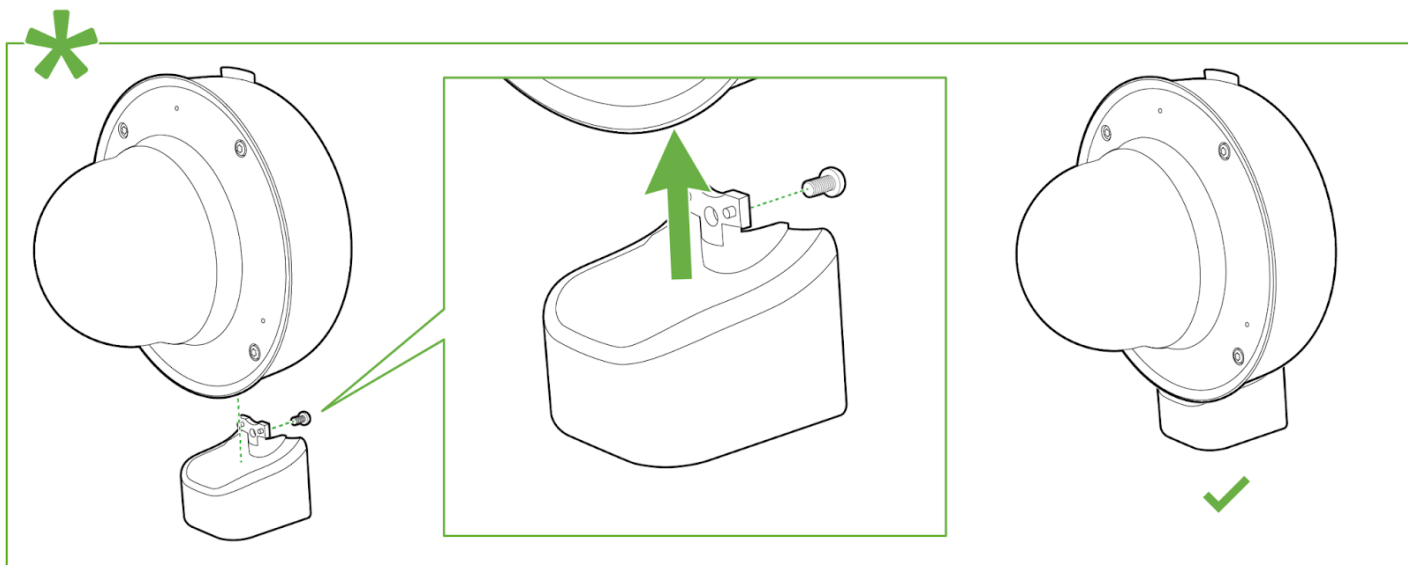
Note: Leave the protective plastic cover on the optical dome throughout the installation process to prevent any damage to the dome. The protective cover should be removed once the installation is completed.



-
1. Use the template to determine mounting hole locations for wall mounting before screwing in the base mount plate.
 2. Peel backing from the mounting template to stick on the wall.
 3. Use template holes marked with the letter "A" for standard wall mounting.
 4. Screw the base mount plate onto the wall in pre-determined locations using the provided wall screws.



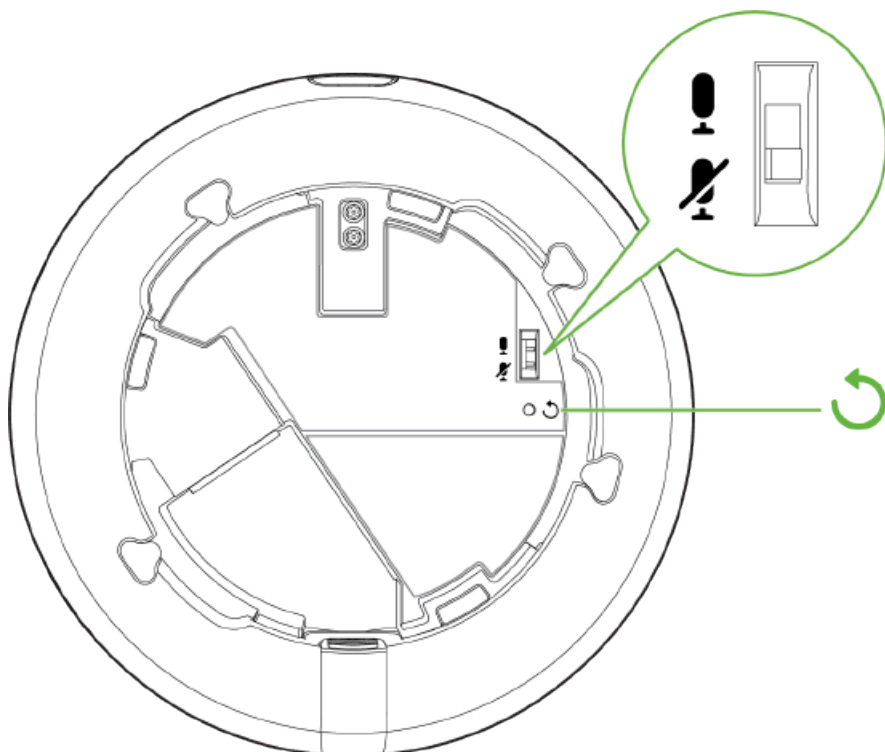
Installing the conduit box to MV13 series: (optional)



Microphone Cut-off Switch & Factory Reset Button

The MV13 has a new microphone cut-off switch at the camera's base. This switch can be used to disable audio and override the Dashboard Audio Settings for an added layer of security. If the regulations require disabling audio or Dashboard control for Audio enablement needs to be disabled, the microphone cut-off switch can be leveraged and set to Disabled.

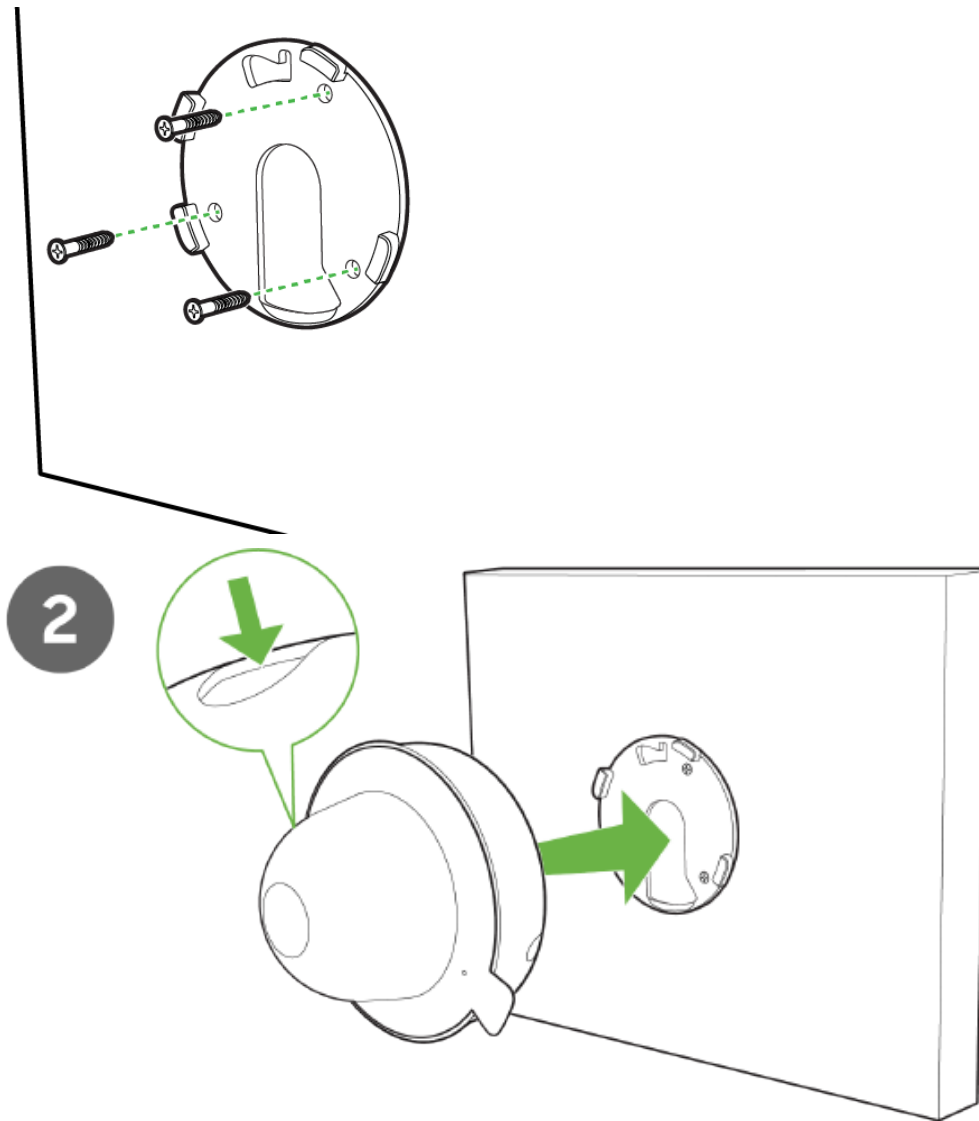
Note: If the microphone switch is disabled and the camera is mounted, toggling the switch back ON would require accessing the camera's base.



The MV13 also features a Factory Reset button which lies right under the microphone cut-off switch. This reset function can be activated by inserting a reset pin into this section for 15 seconds. Do note that this action deletes all the data in the camera including the stored video, and it is not reversible.

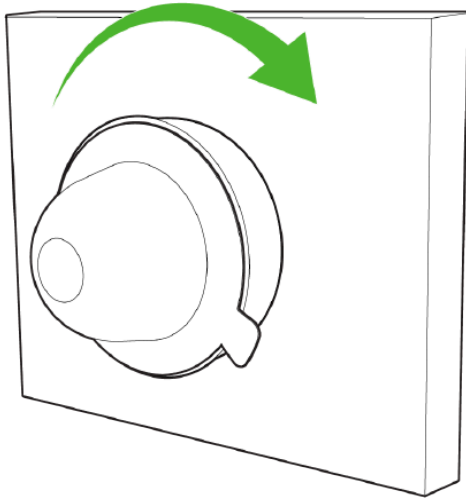
MV13 Install using the small mounting plate

Please refer to the guidelines below on using the base plate mounting to any surface or on top of a mounting accessory.

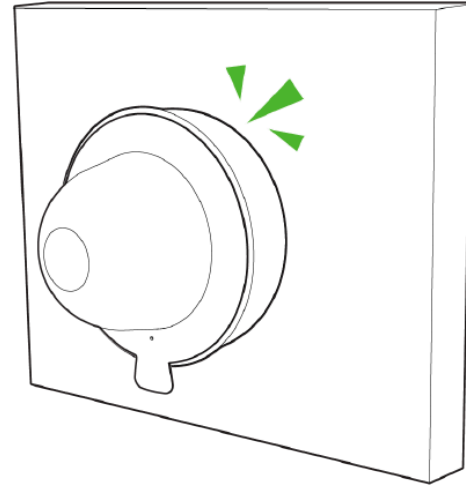


- Use 3x Wall anchor and screws to fix the base plate to the wall.
- Mount the small base plate onto the wall surface using the paper template provided.
- The MV13 Series cameras have a button to engage the locking mechanism. Press the button while aligning the MV13 to the small base plate.

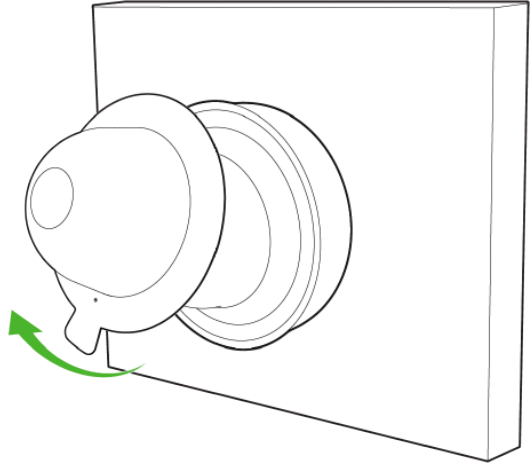
3



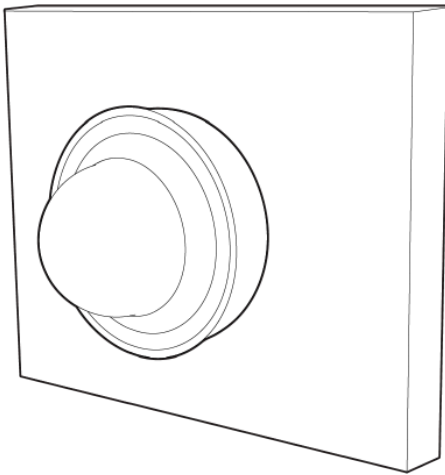
4



5



6



- Twist the camera while holding the button until a click is heard.
- The camera is locked onto the plate and secured.
- Remove the protective cover

The MV13 Series cameras have a button to engage the locking mechanism. Press the button while aligning the MV13 series to the base plate.

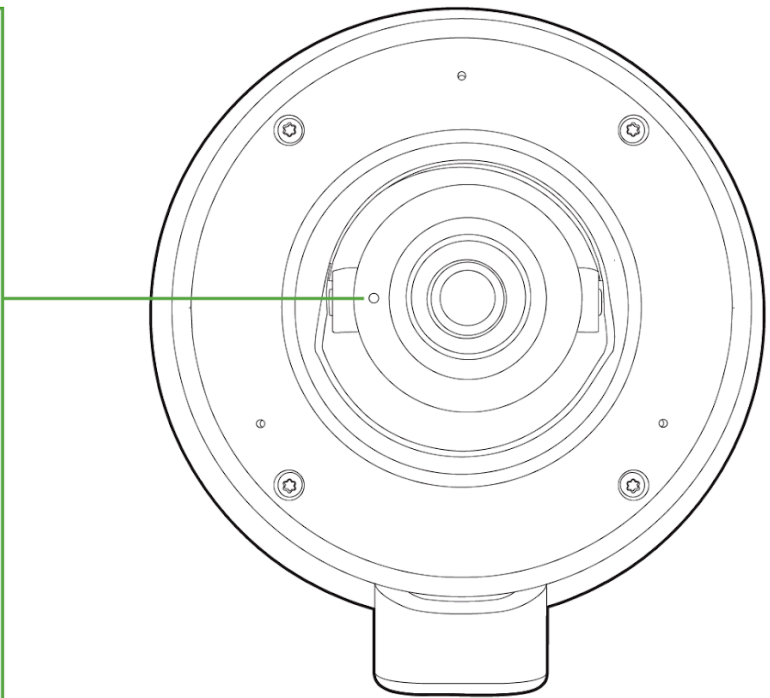
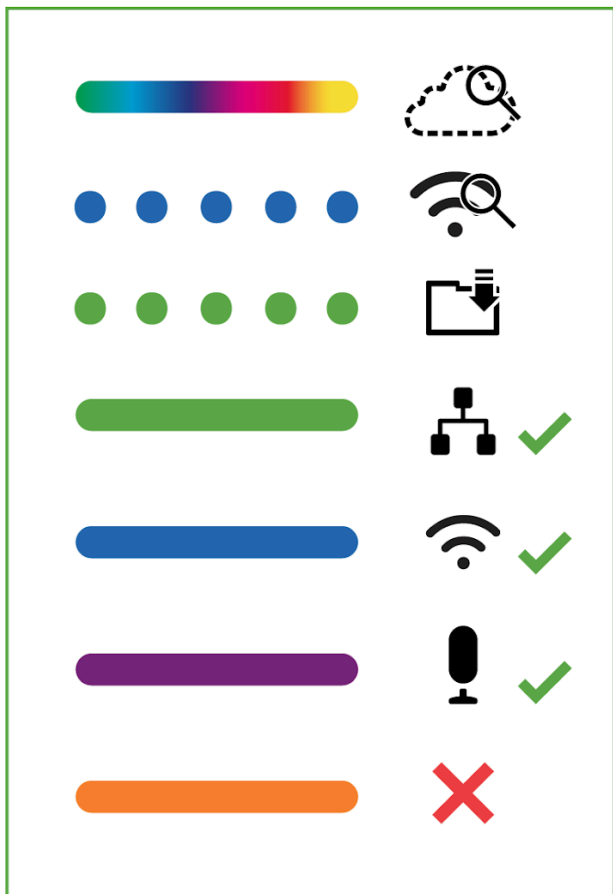
Observe the status LED on the left side of the camera lens assembly and ensure the camera is connected via Ethernet (solid green) or WiFi (solid blue). An MV must first be provisioned over a wired Ethernet connection before it can be deployed wirelessly. See the setup guide [here](#) for information on how to connect via WiFi.

MV13 LED Status Indicator

Your MV13 series is equipped with an LED light on the front of the unit to convey system functionality and performance information.

The following colours and patterns indicate the various status conditions of an MV:

- Rainbow (solid, rotating through colours) - MV is booting up.
- Flashing Blue - MV is searching for WiFi network(s).
- Flashing Green - MV is upgrading or initializing for the first time.
- Solid Green - MV is connected via Ethernet.
- Solid Blue - MV is connected via WiFi.
- Solid Violet - MV has audio recording enabled.
- Solid Amber - MV is not able to connect to the Dashboard.



 dashboard.meraki.com

 docs.meraki.com/mv

6. Aim the lens. Look through the camera on the Meraki Dashboard to fine-tune the picture. The camera sensor and lens unit can be physically tilted through 65 degrees, rotated through a range of +/-90 degrees, and panned through 354 degrees. The image can only be rotated by 180 degrees in software, and no other adjustments can be made. Zoom and focus can be adjusted remotely and can not be adjusted physically on the camera. For more information on zooming, refer to the adjusting the Field of View article.

Note: Never adjust or remove the rubber lens gasket or protective lens guard.

